

Short description



- Aluminium-alloy IP65 single point load cell.
- Colourless anodized
- Suitable for pricing scales, bench scales, etc.
- Maximum platform size: 450 x 450 mm

 test certificate no. TC7836 Revision 1
C of C no R60/2000-NL1-10.34

 Certificate no. 11-062

Available models

Capacity	Accuracy	Full article description
50kg	C3/C4	L6E3-C3/C4-50kg-3G
100kg	C3/C4	L6E3-C3/C4-100kg-3G
150kg	C3/C4	L6E3-C3/C4-150kg-3G
200kg	C3/C4	L6E3-C3/C4-200kg-3G
250kg	C3/C4	L6E3-C3/C4-250kg-3G
300kg	C3/C4/C5	L6E3-C3/C4/C5-300kg-3G
400kg	C3/C4/C5	L6E3-C3/C4/C5-400kg-3G
500kg	C3/C4/C5	L6E3-C3/C4/C5-500kg-3G

Specifications and dimensions are subject to change without notice and do not constitute any liability whatsoever.

Type L6E3 Load Cell

Detailed specifications L6E3

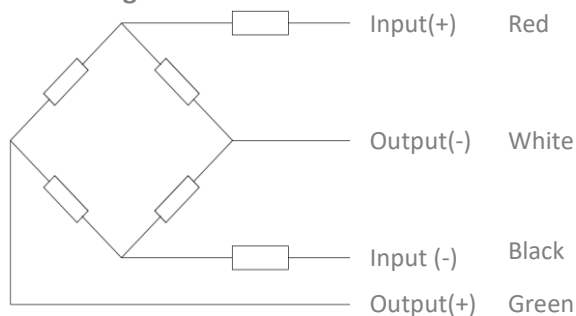
Accuracy class		OIML R60 C3	OIML R60 C4	OIML R60 C5
Output sensitivity (= FS)	mV/V	2.0 ± 0.2		
Maximum capacity (E _{max})	kg	50, 100, 150, 200, 250, 300, 400, 500		300, 400, 500
Max.number of load cell intervals	n _{LC}	3000	4000	5000
Ratio of min. LC verification interval	$Y = E_{max} / V_{min}$	10000	15000	20000
Combined Error	%FS	≤± 0.0230	≤± 0.0175	≤± 0.0140
Minimum dead load	Of E _{max}	0%		
Safe overload	of E _{max}	150 %		
Ultimate overload	of E _{max}	300 %		
Zero balance	of FS	< ± 2.0 %		
Excitation, recommended voltage	V	5 ~ 12		
Excitation maximum	V	18		
Input resistance	Ω	406 ± 6		
Output resistance	Ω	350 ± 3.5		
Insulation resistance	MΩ	≥5000 (at 50VDC)		
Compensated temperature	°C	-10 ~ +40		
Operating temperature	°C	-35 ~ +65		
Storage temperature	°C	-40 ~ +70		
Element material		Aluminium		
Ingress Protection (acc. to EN 60529)		IP65		
Recommended torque on fixation	Nm	M8:25		

Wiring

Wiring:

Shielded, 4 conductor cable.
Cable diameter: Ø5.3mm.
Standard cable length: 3m.
Shield connected to element.
Cable jacket in PVC.

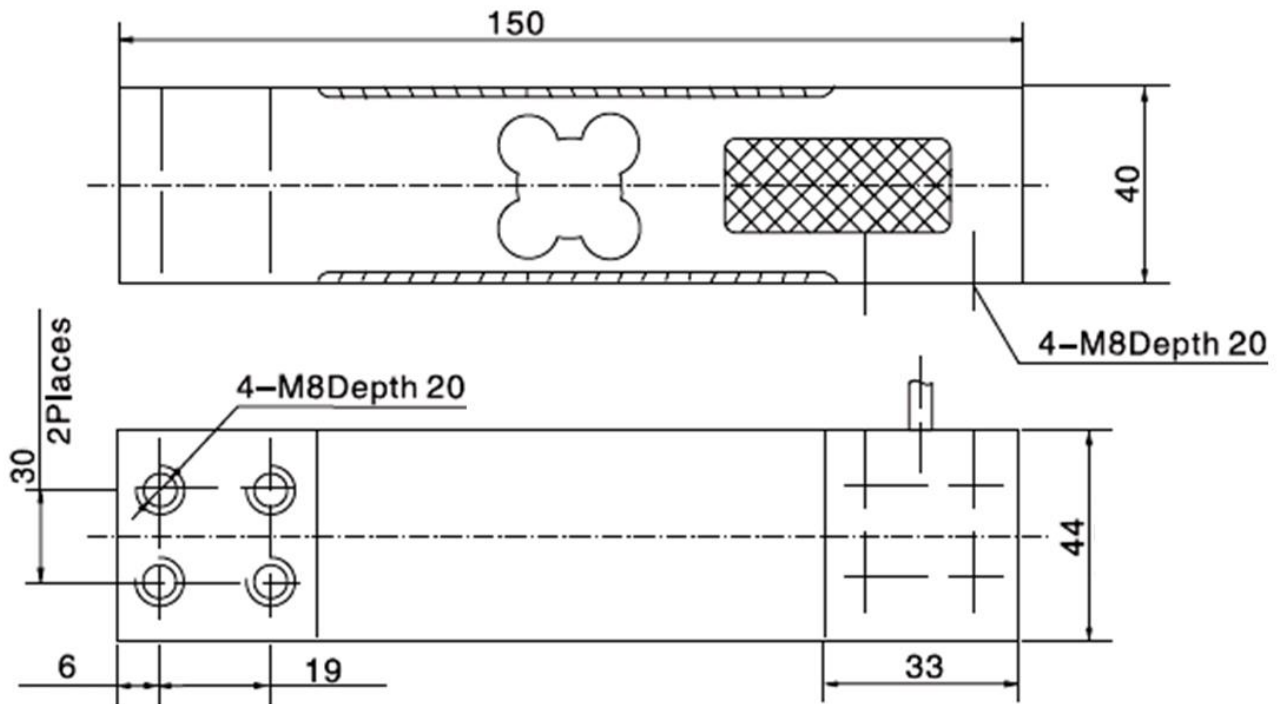
4-wire diagram



Specifications and dimensions are subject to change without notice and do not constitute any liability whatsoever.

Type L6E3 Load Cell

Dimensions in mm



Specifications and dimensions are subject to change without notice and do not constitute any liability whatsoever.