

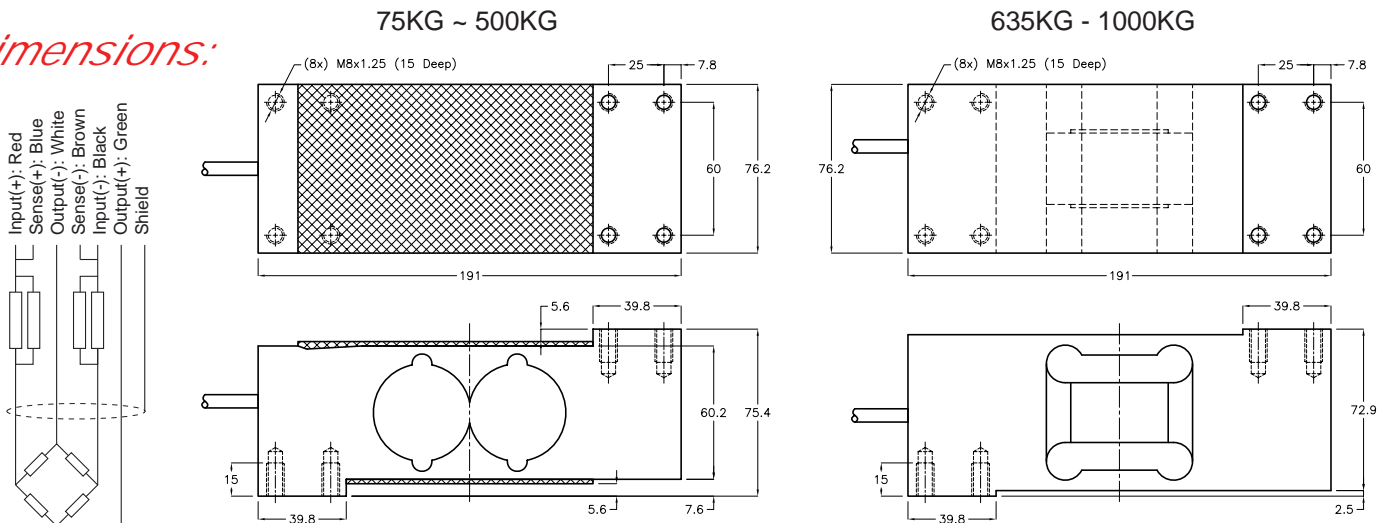
- Type:** Single Point
- Material:** Aluminum Alloy
- Surface:** Anodized Treatment
- Protection:** IP 65
- Features:** Suggested Platform  
Size: 800 x 800 mm
- Application:** Platform Scales  
Check Weighers  
Bag Filing  
Overhead Track Scales



*Specifications:*

<b>Capacity</b>	kg	75 / 150 / 250 / 500 / 635 / 1000	
<b>Accuracy Class</b>		<b>C3</b>	<b>C4</b>
<b>Max. Number of Verification Intervals</b>		3000	4000
<b>Minimum Load cell Verification Interval</b>		$E_{max}/7000$	$E_{max}/12000$
<b>Temperature Effect on Zero</b>	%FS/10°C	$\leq \pm 0.0205$	$\leq \pm 0.0138$
<b>Temperature Effect on Sensitivity</b>	%FS/10°C	$\leq \pm 0.0178$	$\leq \pm 0.0152$
<b>Combined Error</b>	%FS	$\leq \pm 0.0200$	$\leq \pm 0.0175$
<b>Creep</b>	%FS	$\leq \pm 0.0170$	$\leq \pm 0.0160$
<b>Output Sensitivity</b>	mv/v	2.0 ± 0.3	
<b>Input Resistance</b>	Ω	410 ± 5	
<b>Output Resistance</b>	Ω	350 ± 3.5	
<b>Insulation Resistance</b>	MΩ	≥ 5000	
<b>Zero Balance</b>	%FS	2	
<b>Temperature, Compensated</b>	°C	-10 ~ +40	
<b>Temperature, Operating</b>	°C	-20 ~ +50	
<b>Excitation, Recommended</b>	v	5 ~ 15	
<b>Safe Overload</b>	%FS	150	
<b>Ultimate Overload</b>	%FS	300	
<b>Standard Cable Length</b>	m	3	

*Dimensions:*



All dimensions: mm