

Type B8Q Load Cell



Short description



- Stainless steel IP67 shear beam load cell
- Low profile
- Suitable for hopper, floor and other electronic scales
- Current calibrated (SC-option)



test certificate no. TC7809 Revision 0
C of C no R60/2000-NL1-10.14 Revision 1



Certificate no. 12-029

Available models

Capacity	Accuracy	Full article description
200kg	C3 Excluded from OIML	B8Q-C3-200kg-3B-SC(-W6)
500kg	C3	B8Q-C3-500kg-3B-SC(-W6)
1000kg	C3	B8Q-C3-1000kg-3B-SC(-W6)
2000kg	C3	B8Q-C3-2000kg-3B-SC(-W6)

Specifications and dimensions are subject to change without notice and do not constitute any liability whatsoever.

Type B8Q Load Cell

Detailed specifications B8Q

Accuracy class		C3	OIML R60 C3
Output sensitivity (= FS)	mV/V	2.0 ± 0.002	
Maximum capacity (E _{max})	kg	200	500, 1000, 2000
Max.number of load cell intervals	n _{LC}	3000	
Ratio of min. LC verification interval	$Y = E_{max} / v_{min}$	10000	15000
Combined Error	%FS	≤± 0.0230	
Minimum dead load	Of E _{max}	0%	
Safe overload	of E _{max}	150 %	
Ultimate overload	of E _{max}	300 %	
Zero balance	of FS	< ± 1.0 %	
Excitation, recommended voltage	V	5 ~ 12	
Excitation maximum	V	18	
Input resistance	Ω	1106 ± 5	
Output resistance	Ω	1000 ± 3	
Insulation resistance	MΩ	≥5000 (at 50VDC)	
Compensated temperature	°C	-10 ~ +40	
Operating temperature	°C	-35 ~ +65	
Storage temperature	°C	-40 ~ +80	
Element material		Stainless steel	
Ingress Protection (acc. to EN 60529)		IP67	
Recommended torque on fixation	Nm	M12: 75	

Wiring

Wiring:

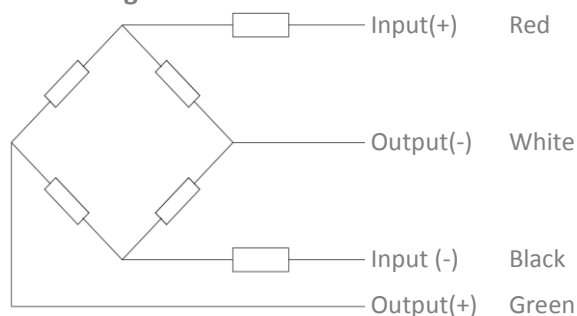
Shielded, 4 conductor cable.

Cable diameter: Ø5mm.

Standard cable length: 3m.

Shield not connected to element.

4-wire diagram

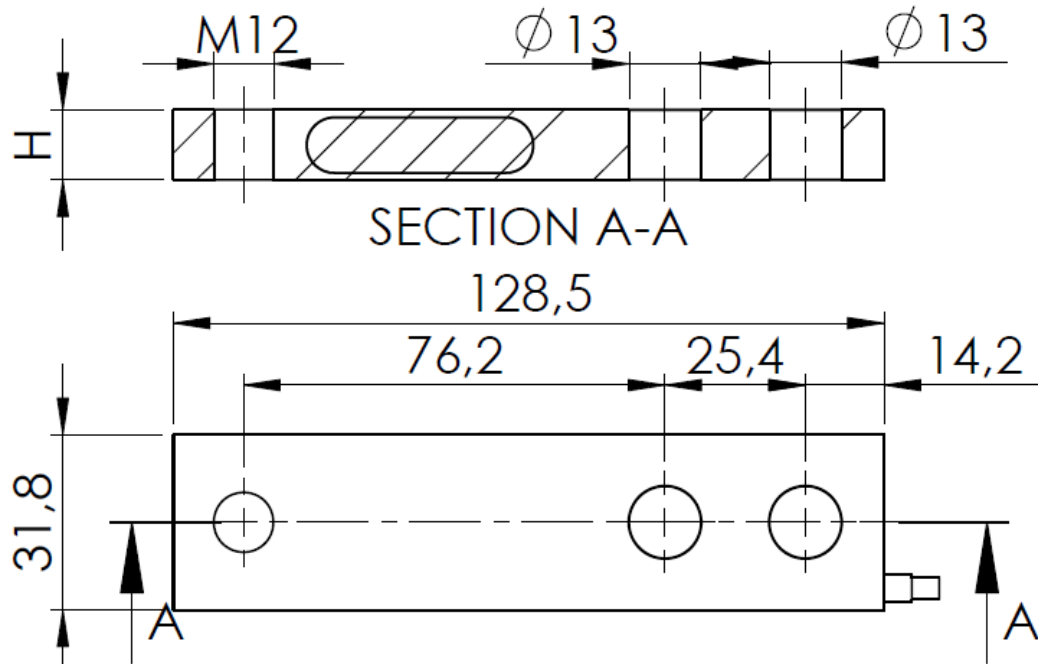


Specifications and dimensions are subject to change without notice and do not constitute any liability whatsoever.

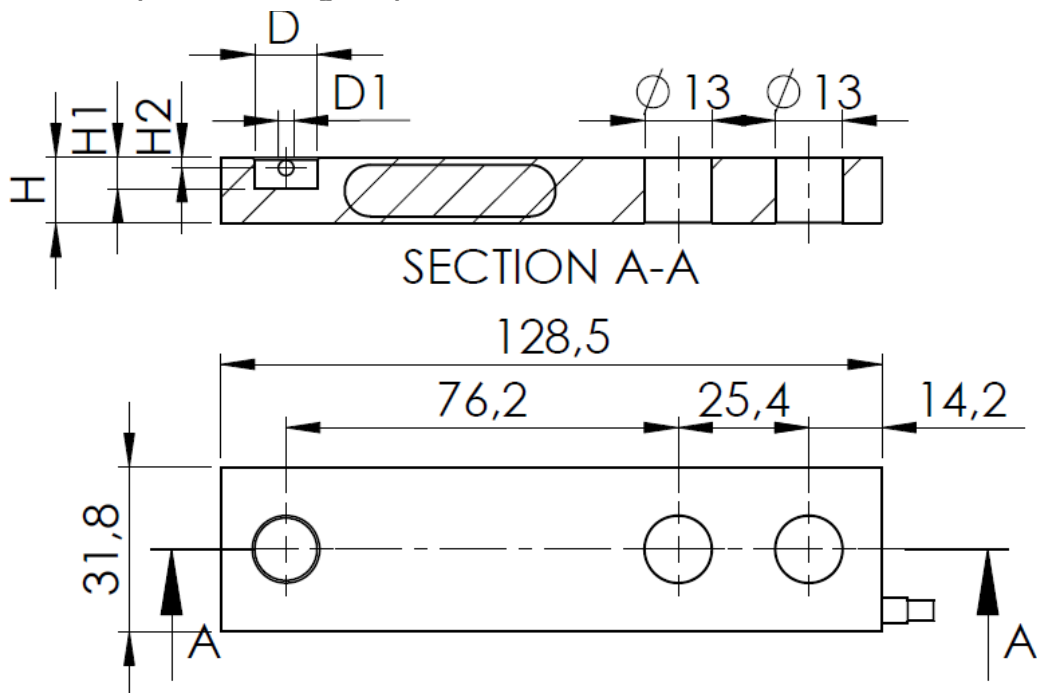
Type B8Q Load Cell

Dimensions in mm

Standard version



Option W6 version ("T" end loading hole)

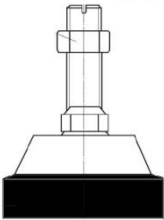
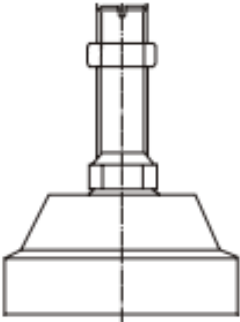
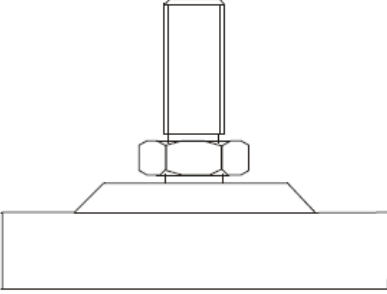
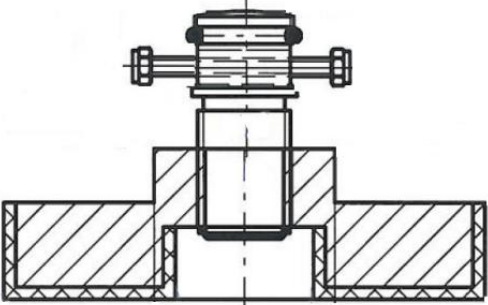


Dimension Capacity	H	H1	H2	ØD	ØD1
200kg	12.7	6	2	12.1	3
500kg	15.9	9.5	2.8	18.1	4
1000kg	19.1	9.5	2.8	18.1	4
2000kg	25.4	9.5	2.8	18.1	4

Specifications and dimensions are subject to change without notice and do not constitute any liability whatsoever.

Type B8Q Load Cell

Available accessories

<p>BJ-8-202-0.5-5t foot</p> <ul style="list-style-type: none">• $\varnothing 60-80$ and height 92-105 mm• Stainless Steel• Adjustable height	
<p>BJ-8-205-0.5-2t foot</p> <ul style="list-style-type: none">• $\varnothing 88$ and height 105 mm• Easy installation• Adjustable height• Automatically centralized inside• Good ability of anti-side loading• Mainly used for platform scales, floor scales and other electronic weighing devices	
<p>BJ-8-215-0.5-2t foot</p> <ul style="list-style-type: none">• $\varnothing 81$ and height 48 mm• Easy installation• Adjustable height• Automatically centralized inside• Good ability of anti-side loading• Mainly used for platform scales, floor scales and other electronic weighing devices	
<p>BJ-8-250-0.2-2t foot</p> <ul style="list-style-type: none">• $\varnothing 60-80$ and height 30-51 mm• Easy installation• Suitable for W6 option	

Specifications and dimensions are subject to change without notice and do not constitute any liability whatsoever.